



Illustrated Parts List

Model Series

10H900

TYPE NUMBERS
0101 through 0641.

TABLE OF CONTENTS

Air Cleaner	6
Blower Housing/Shrouds	7
Brake	5
Camshaft	3
Carburetor	4
Controls	5
Crankcase Cover/Sump	3
Crankshaft	3
Cylinder	2
Cylinder Head	2
Exhaust System	6
Flywheel	7
Fuel Supply	4
Gasket Set - Engine	2
Gasket Set - Valve	2
Governor Spring	5
Ignition	5
Lubrication	2
Operator's Manual	2
Piston/Rings/Connecting Rod	3
Rewind Starter	7
Warning Label	2

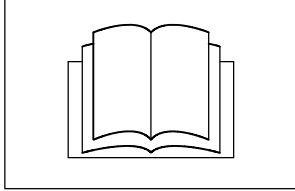


PRINTED IN U.S.A.

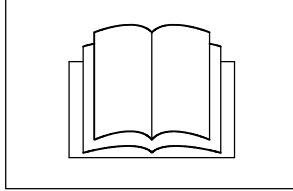
COPYRIGHT by BRIGGS & STRATTON CORPORATION
All rights reserved. No part of this material may be reproduced or transmitted, in any form or by any means, electronic or mechanical, including photocopying, recording or by any information storage and retrieval system, without permission in writing from Briggs & Stratton Corporation.

10H900

1058 OPERATOR'S MANUAL



1330 REPAIR MANUAL

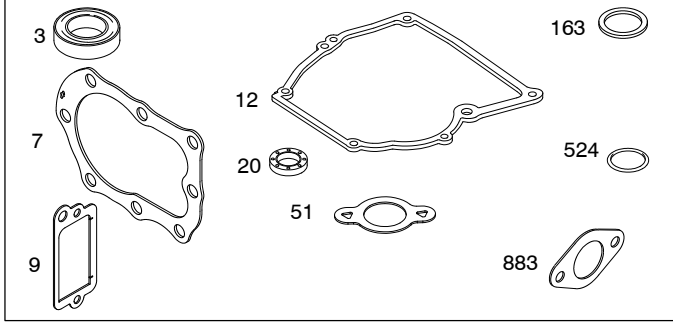


1319 WARNING LABEL

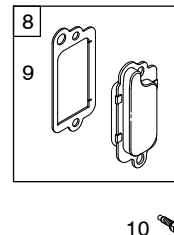
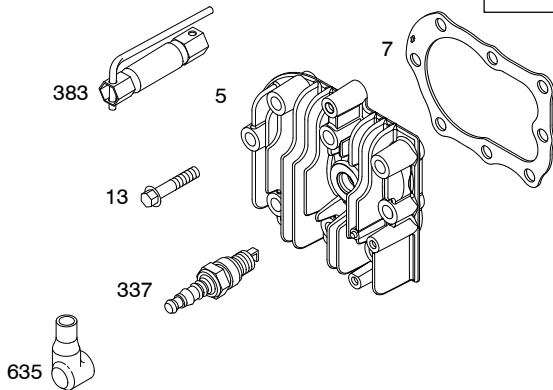
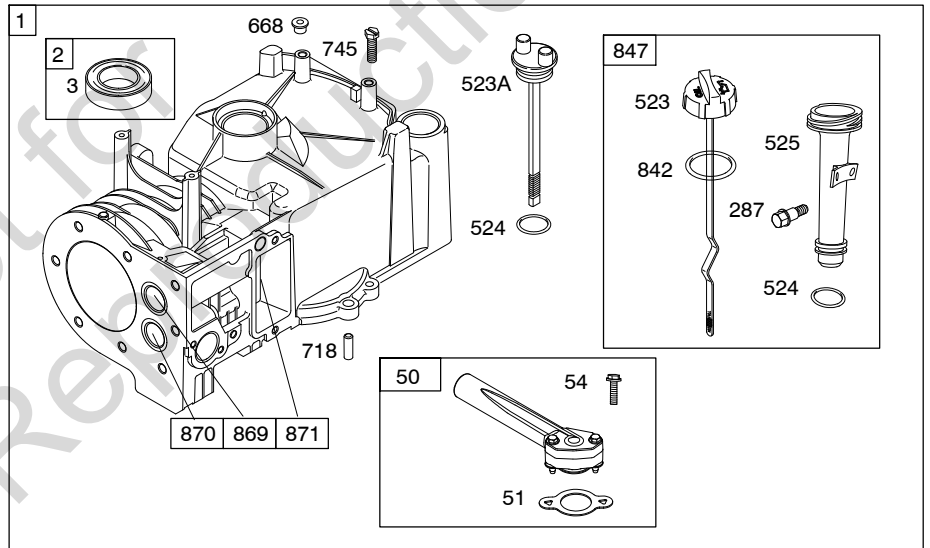
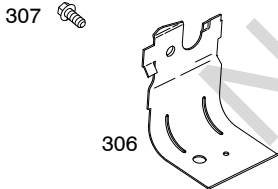
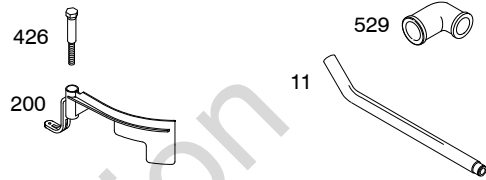
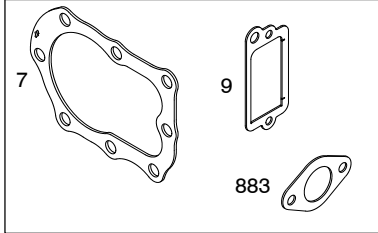
WARNING	
	Read and follow Operating instructions before running engine.
	Gasoline is flammable. Allow engine to cool at least 2 minutes before refueling.
	Engines emit carbon monoxide, DO NOT run in enclosed area.
	Muffler area temperature may exceed 150°F. Do not touch hot parts.

REQUIRED when replacing parts with warning labels affixed.

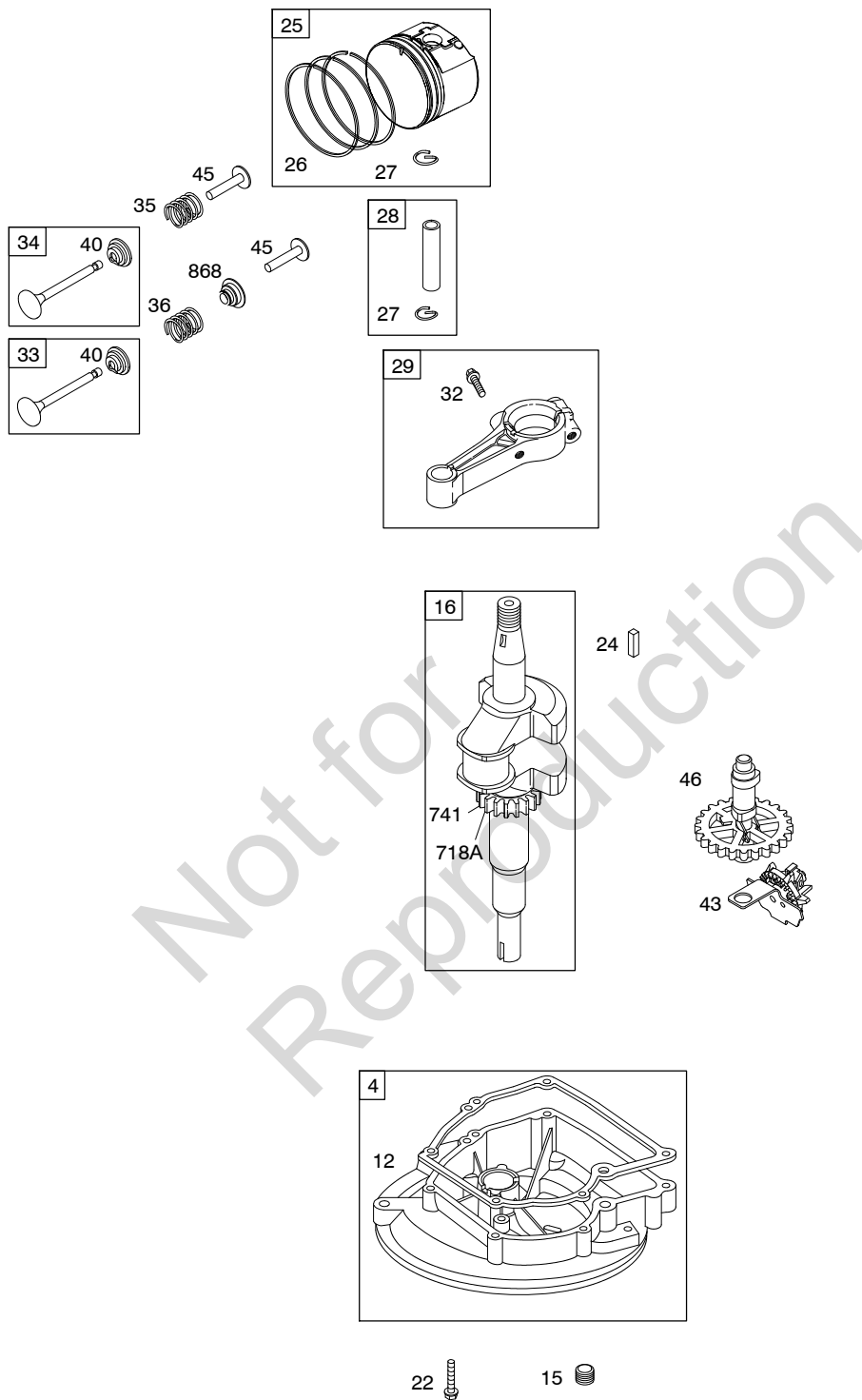
358 ENGINE GASKET SET



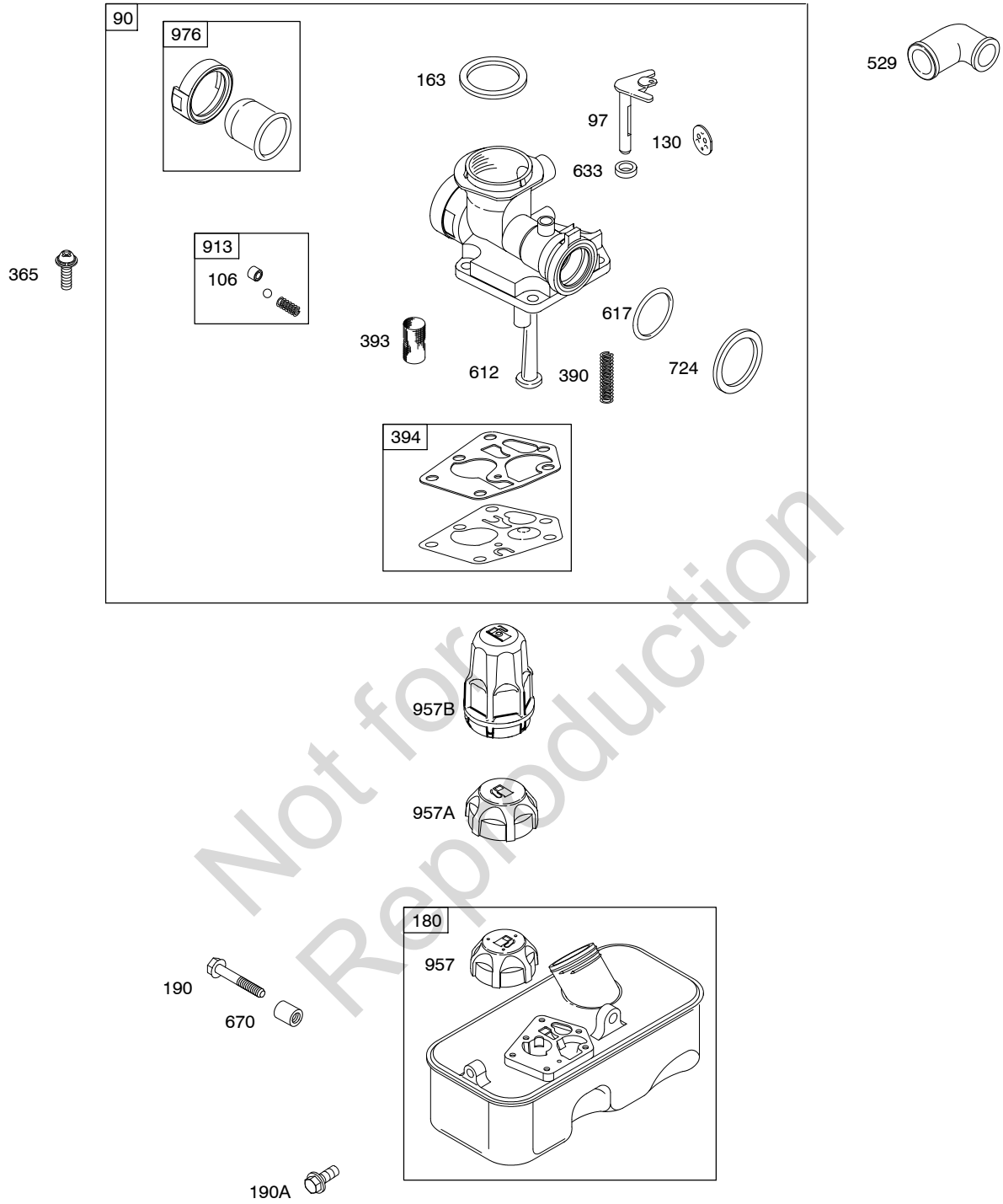
1095 VALVE GASKET SET

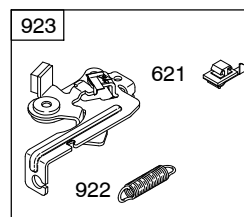
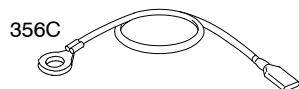
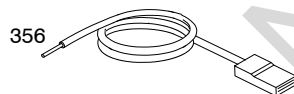
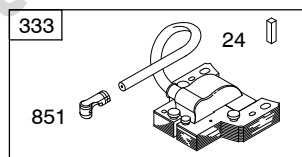
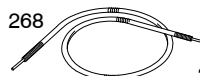
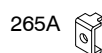
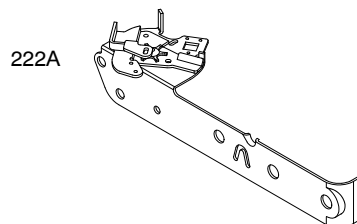
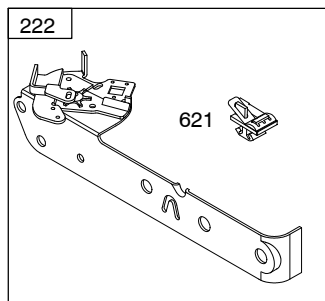
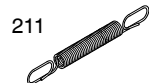


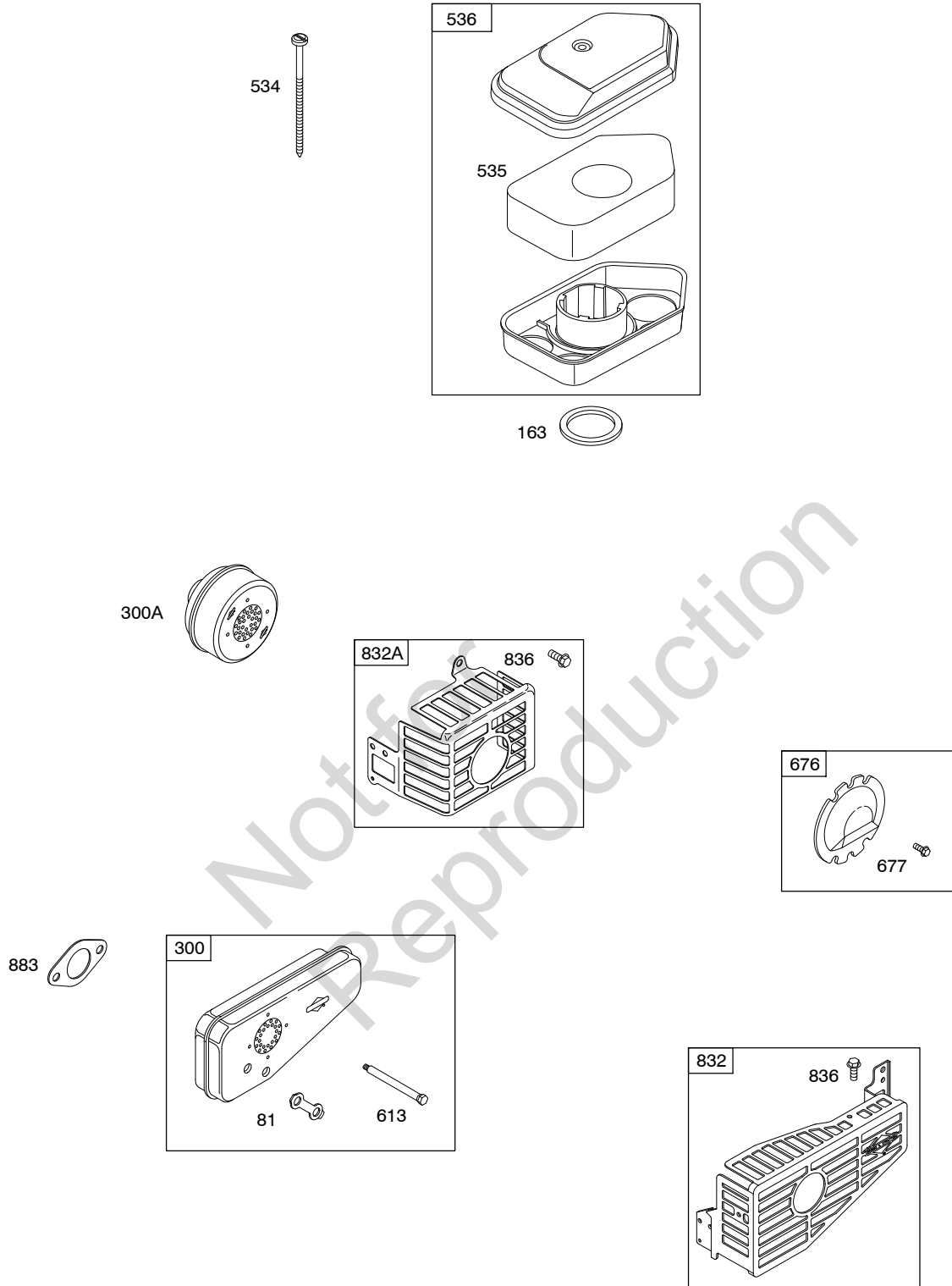
Illustrations cover a range of engines. Parts shown without corresponding text may not be used on your specific engine.
 5716-2 Assemblies include all parts shown in frames. 02/04/2009



Illustrations cover a range of engines. Parts shown without corresponding text may not be used on your specific engine.
 5716-3 Assemblies include all parts shown in frames. 02/04/2009

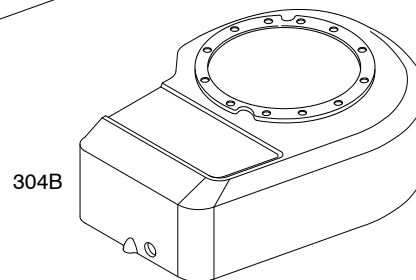
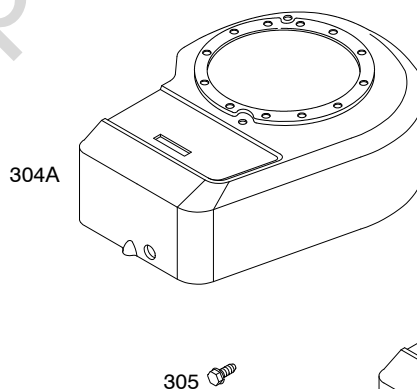
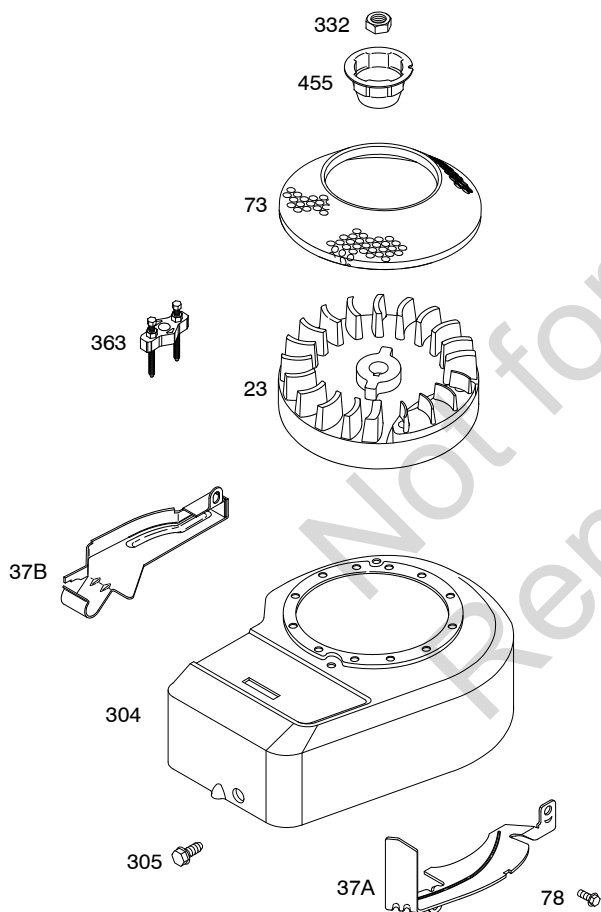
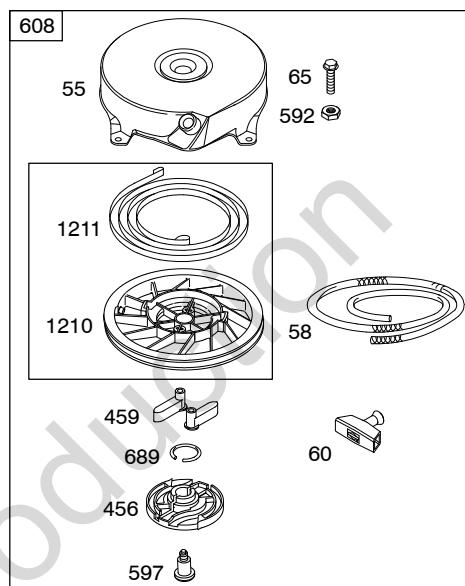
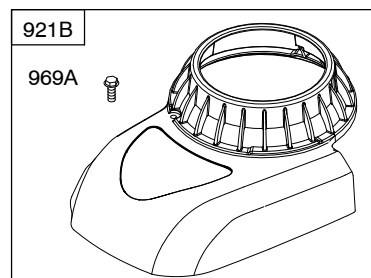
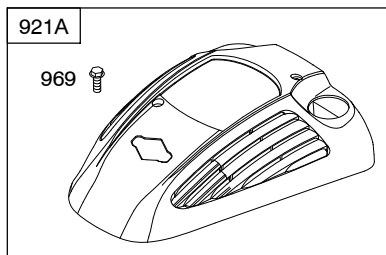
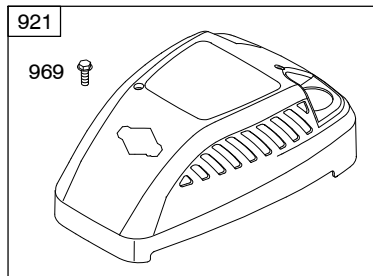






Illustrations cover a range of engines. Parts shown without corresponding text may not be used on your specific engine.

1036 EMISSIONS LABEL



Illustrations cover a range of engines. Parts shown without corresponding text may not be used on your specific engine.
 5716-7 Assemblies include all parts shown in frames. 02/04/2009

10H900

REF. NO.	PART NO.	DESCRIPTION	REF. NO.	PART NO.	DESCRIPTION	REF. NO.	PART NO.	DESCRIPTION
1	699653	Cylinder Assembly	24	222698S	Key-Flywheel	37A	691209	Guard-Flywheel (Muffler Side)
2	399269	Kit-Bushing/Seal (Magneto Side)	25	790908	Piston Assembly (Standard) (Used After Code Date 04111400).	37B	690482	Guard-Flywheel (Carburetor Side)
3	299819S	Seal-Oil (Magneto Side)			----- Note -----	40	692194	Retainer-Valve
4	698691	Sump-Engine			699657 Piston Assembly (Standard) (Used Before Code Date 04111500).	43	698690	Slinger-Governor/Oil
5	790169	Head-Cylinder				45	691762	Tappet-Valve
7	698717	Gasket-Cylinder Head				46	691998	Camshaft
8	791781	Breather Assembly				50	699644	Manifold-Intake
9	695890	Gasket-Breather				51	699649	Gasket-Intake
10	691666	Screw (Breather Assembly)				54	691111	Screw (Intake Manifold)
11	691245	Tube-Breather			792532 Piston Assembly (.020" Oversize) (Used After Code Date 04111400).	55	692144	Housing-Rewind Starter
12	692218	Gasket-Crankcase (Standard) (.015" Thick)				58	697316	Rope-Starter (88 5/8" Long) Used on Type No(s). 0101, 0116, 0117, 0120, 0121, 0216, 0246, 0285, 0327, 0333, 0437, 0455, 0522, 0632, 0641.
13	691640	Screw (Cylinder Head)	26	795132	Ring Set (Standard) (Used After Code Date 04111400).			----- Note -----
15	691680	Plug-Oil Drain			699658 Ring Set (Standard) (Used Before Code Date 04111500).			691921 Rope-Starter (70" Long) Used on Type No(s). 0111, 0113, 0114, 0115.
16	692989	Crankshaft Used on Type No(s). 0111, 0113, 0114, 0115, 0120, 0121, 0216, 0327.			795134 Ring Set (.020" Oversize) (Used After Code Date 04111400).	60	691915	Grip-Starter Rope
		----- Note -----				65	690837	Screw (Rewind Starter)
		691472 Crankshaft Used on Type No(s). 0101, 0116, 0246, 0285, 0333, 0437, 0455, 0522, 0632, 0641.	27	691588	Lock-Piston Pin	73	699850	Screen-Rotating
		691471 Crankshaft Used on Type No(s). 0117.	28	699659	Pin-Piston (Standard) (Used After Code Date 03093000).	78	692198	Screw (Flywheel Guard)
20	391483S	Seal-Oil (PTO Side)			----- Note -----	81	691179	Lock-Muffler Screw
22	692551	Screw (Crankcase Cover/Sump)			298909 Pin-Piston (Standard) (Used Before Code Date 03100100).	90	795469	Carburetor
23	795549	Flywheel				97	691931	Shaft-Throttle
		----- Note -----				106	691901	Seat-Inlet
		690843 Flywheel Used on Type No(s). 0111, 0115.			298908 Pin-Piston (.005" Oversize) (Used Before Code Date 03100100).	130	691190	Valve-Throttle
		795695 Flywheel (Used After Code Date 08012900).	29	699654	Rod-Connecting	163	271139S	Gasket-Air Cleaner
		Used on Type No(s). 0113, 0114, 0121.	32	691664	Screw (Connecting Rod)	180	494406	Tank-Fuel
		690843 Flywheel (Used Before Code Date 08013000).	33	296676	Valve-Exhaust	188	692198	Screw (Control Bracket)
		Used on Type No(s). 0113, 0114, 0121.	34	296677	Valve-Intake	190	691640	Screw (Fuel Tank) (1 3/4" Long)
			35	690520	Spring-Valve (Intake)	190A	691108	Screw (Fuel Tank) (9/16" Long)
			36	690520	Spring-Valve (Exhaust)	200	691912	Blade-Governor
						201	690347	Link-Air Vane

Illustrations cover a range of engines. Parts shown without corresponding text may not be used on your specific engine.

REF. NO.	PART NO.	DESCRIPTION	REF. NO.	PART NO.	DESCRIPTION	REF. NO.	PART NO.	DESCRIPTION
209	691297	Spring-Governor (White) Used on Type No(s). 0101, 0116, 0216, 0246, 0285, 0327. ----- Note ----- 691862 Spring-Governor (Dark Green) Used on Type No(s). 0111, 0113, 0114. 690251 Spring-Governor (Yellow) Used on Type No(s). 0117, 0120, 0333, 0437, 0455, 0522, 0632, 0641. 692211 Spring-Governor (No Color) Used on Type No(s). 0115. 690250 Spring-Governor (Light Green) Used on Type No(s). 0121.	270	691027	Nut (Control Wire Casing)	337	802592S	Plug-Spark Used on Type No(s). 0101, 0111, 0113, 0114, 0115, 0120, 0121, 0216, 0246, 0285, 0327, 0333, 0437, 0455, 0522, 0632, 0641. ----- Note ----- 697451 Plug-Spark Used on Type No(s). 0116, 0117.
211	691859	Spring-Governed Idle	271	691028	Lever-Control	356	692390	Wire-Stop
222	691445	Bracket-Governor Used on Type No(s). 0111, 0113, 0114, 0115, 0116, 0117.	287	691002	Screw (Dipstick Tube)	356C	793399	Wire-Stop Used on Type No(s). 0121.
222A	691446	Bracket-Control Used on Type No(s). 0101, 0120, 0121, 0216, 0246, 0285, 0327, 0333, 0437, 0455, 0522, 0632, 0641.	300	692307	Muffler (Super Lo Tone) Used on Type No(s). 0114, 0116, 0117, 0121.	358	794209	Gasket Set-Engine
265	690798	Clamp-Casing Used on Type No(s). 0101, 0116, 0120.	300A	394569S	Muffler (Round Lo Tone) Used on Type No(s). 0101, 0111, 0113, 0115, 0120, 0216, 0246, 0285, 0327, 0333, 0437, 0455, 0522, 0632, 0641.	363	19069	Puller-Flywheel
265A	691024	Clamp-Casing Used on Type No(s). 0117.	304	694051	Housing-Blower (Non Compliance Engines) Used on Type No(s). 0111, 0113, 0114, 0115, 0116, 0117, 0121.	365	790029	Screw (Carburetor)
267	691044	Screw (Casing Clamp)	304A	694236	Housing-Blower (Compliance Engines) Used on Type No(s). 0101, 0216, 0246, 0285, 0327, 0333, 0437, 0455, 0522, 0632, 0641.	383	89838S	Wrench-Spark Plug
268	691025	Casing-Control Wire (Cut To Required Length)	304B	691484	Housing-Blower Used on Type No(s). 0120.	390	691839	Spring-Choke Diaphragm
269	691026	Wire-Control (Cut To Required Length)	305	692198	Screw (Blower Housing)	393	691837	Screen-Carburetor
			306	690400	Shield-Cylinder	394	795083	Diaphragm-Carburetor
			307	690345	Screw (Cylinder Shield)	426	691107	Screw (Governor Blade)
			332	690662	Nut (Flywheel)	455	691236	Cup-Flywheel Used on Type No(s). 0101, 0111, 0113, 0114, 0115, 0116, 0117, 0120, 0121, 0216, 0246, 0285, 0327, 0333, 0437, 0455, 0522, 0632, 0641.
			333	793281	Armature-Magneto	456	692299	Plate-Pawl Friction
			334	691061	Screw (Magneto Armature) (1" Long)	459	281505S	Pawl-Ratchet
			335	691107	Screw (Magneto Armature With Air Vane) (1 15/16" Long)	523	692040	Dipstick Used on Type No(s). 0101, 0111, 0113, 0114, 0115, 0116, 0117, 0246, 0333, 0437, 0455, 0632, 0641.
						523A	691913	Dipstick Used on Type No(s). 0120, 0121, 0216, 0285, 0327, 0522.
						524	691876	Seal-Dipstick Tube
						525	691320	Tube-Dipstick
						529	692189	Grommet
						534	691417	Screw (Air Cleaner)

Illustrations cover a range of engines. Parts shown without corresponding text may not be used on your specific engine.
5716-9 **Assemblies include all parts shown in frames.** **02/04/2009**

10H900

REF. NO.	PART NO.	DESCRIPTION	REF. NO.	PART NO.	DESCRIPTION	REF. NO.	PART NO.	DESCRIPTION
535	698369	Filter-Air Cleaner Foam	745A	690859	Screw (Brake) (1/2" Long)	925	691349	Cover-Linkage Used on Type No(s). 0101, 0120, 0216, 0246, 0285, 0327, 0333, 0437, 0455, 0522, 0632, 0641.
536	698472	Cleaner-Air	772	691111	Screw (Linkage Cover)	957	497929S	Cap-Fuel Tank Used on Type No(s). 0101, 0114, 0116, 0117, 0120, 0216, 0246, 0285, 0327, 0333, 0437, 0455, 0522, 0632, 0641.
592	690800	Nut (Rewind Starter)	832	699299	Guard-Muffler Used on Type No(s). 0114.	957A	791129	Cap-Fuel Tank Used on Type No(s). 0111, 0113, 0114, 0115, 0121.
597	691696	Screw (Pawl Friction Plate)	832A	699670	Guard-Muffler Used on Type No(s). 0111, 0113, 0115.	957B	792878	Cap-Fuel Tank
608	499706	Starter-Rewind Used on Type No(s). 0101, 0116, 0117, 0120, 0121, 0216, 0246, 0285, 0327, 0333, 0437, 0455, 0522, 0632, 0641.	836	690664	Screw (Muffler Guard)	969	694046	Screw (Blower Housing Cover) (2 1/3" Long) Used on Type No(s). 0111, 0114, 0115, 0116, 0117.
		----- Note ----- 690101 Rope-Starter Used on Type No(s). 0111, 0113, 0114, 0115.	842	691870	Seal-O Ring (Dipstick Tube)			
612	496046S	Tube-Pick Up	847	691440	Dipstick/Tube Assembly			
613	691413	Screw (Muffler)	851	493880S	Terminal-Spark Plug			
617	270344S	Seal-O Ring (Intake Manifold)	868	697338	Seal-Valve			
621	692310	Switch-Stop	869	699641	Seat-Valve (Intake)			
633	691321	Seal-Choke/Throttle Shaft (Throttle)	870	699642	Seat-Valve (Exhaust)			
635	66538S	Boot-Spark Plug	871	699643	Bushing-Valve Guide (Exhaust) ----- Note ----- 63709 Bushing-Valve Guide (Intake)	969A	692523	Screw (Blower Housing Cover) (2/3" Long) Used on Type No(s). 0101, 0121, 0216, 0246, 0285, 0327, 0333, 0437, 0455, 0522, 0632, 0641.
668	692889	Spacer	883	691880	Gasket-Exhaust	976	694394	Primer-Carburetor Label-Emissions (Available From A Briggs & Stratton Authorized Dealer)
670	691633	Spacer-Fuel Tank	913	494409	Seat-Check Valve	1036		
676	393756	Deflector-Muffler Used on Type No(s). 0115.	921	694044	Cover-Blower Housing Used on Type No(s). 0114, 0115.	1058	277038	Operator's Manual
677	690661	Screw (Muffler Deflector) Used on Type No(s). 0115.	921A	793973	Cover-Blower Housing Used on Type No(s). 0111, 0113, 0117.	1095	498526	Gasket Set-Valve
689	691855	Spring-Friction	921B	699796	Cover-Blower Housing Used on Type No(s). 0101, 0121, 0216, 0246, 0285, 0327, 0333, 0437, 0455, 0522, 0632, 0641.	1210	499901	Pulley/Spring Assembly (Pulley)
718	690959	Pin-Locating (Cylinder)	922	692135	Spring-Brake	1211	499901	Pulley/Spring Assembly (Spring)
718A	499047	Pin-Locating (Crankshaft)	923	691487	Brake Used on Type No(s). 0101, 0120, 0216, 0246, 0285, 0327, 0333, 0437, 0455, 0522, 0632, 0641.	1319	794467	Label-Warning
724	697478	Retainer-Seal				1330	270962	Repair Manual
729	690586	Clip-Wire						
741	691805	Gear-Timing						
745	691146	Screw (Brake) (7/8" Long)						

Illustrations cover a range of engines. Parts shown without corresponding text may not be used on your specific engine.

Not for
Reproduction

Not for
Reproduction

